

LED Lamp

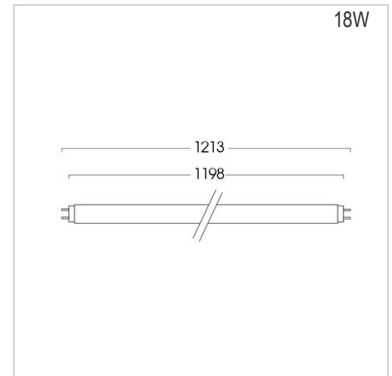
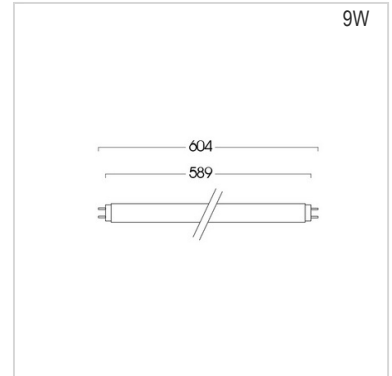
 TIS ELED-T8/MOVING SENSOR

Application

This LED lamp is designed to replace conventional lamp which is safe cost and save energy depending on each lamp types. There is no UV, long lifetime, etc.

Specification

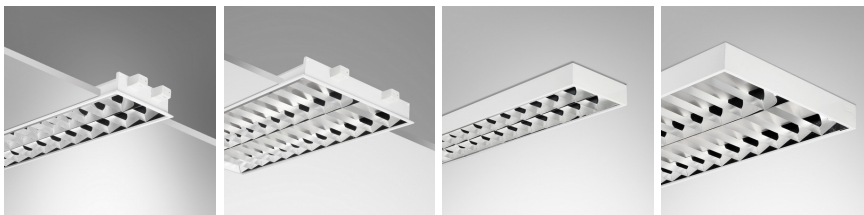
Housing	Frosted plastic tube is excellent designed to protect injury cause of electric shock
Description	Energy saving up to 55% No UV and IR, non-dimmable In case to use with existing luminaire, strongly recommended to remove ballast and check wiring diagram. Double side wiring for LED-T8 lamp When having moving pass sensor, Light Output will be 100%. After moving pass 30-45 Sec, Light output dropped to 30%
Power	9/18W
Source	LED-Module
Lamp Holder	G13
Lamp Colour	6500K
CRI	70
Lamp Output	9W: 900lm 18W: 1800lm
Beam Angle	230 degree
Control Gear	Built-in driver
Power Supply	220VAC 50Hz
Power Factor	>0.9
IP Rating	20
LED Lifetime	25,000 hrs
Equivalent	9W: T5 1x14W/T8 1x18W 18W: T5 1x28W/T8 1x36W



Ordering Data

Model	Watt
LUMAX#Ecosave Plus T8-900LM/765/9W/OT/Moving Senso	9W
LUMAX#Ecosave Plus T8-1800LM/765/18W/OT/Moving Sen	18W

Related Products



Recessed Luminaire

Surface Luminaire

